

## BIG RAIN Rain panel for ceiling installation or ceiling substructure installation - Stainless Steel

41 400 979



- Rain panel with 2 different spray modes
- PURIFY RAIN, 200 x 160 mm, max. flow rate 9.5 l/min (at 3 bar)
- FULL RAIN, 360 x 280 mm, max. flow rate 9.5 l/min (at 3 bar)
- cover plate, stainless steel 600 x 480 mm
- 2x flexible connection hose 1/2" - female thread
- 4x mounting pin
- pre-fitted stainless steel enclosure
- with anti-scale system

### technical data:



- minimum flow rate 9.5 l/min (both rain modes together)
- minimum flow pressure 2 bar
- max. flow pressure 4 bar
- weight: 12kg

### technical data:

### plumbing:

- recommended water hardness: 6-7 °dH - if the water is harder, integrate a water softener that uses the ion exchange principle into the feed pipe.
- for choosing the drainage, taking into consideration the discharge of all the products in the shower, the specific demand needs to be assessed.  
Recommendation: Floor drain (connected rating) = 1l/sec, drainage rate DN 50
- feed pipe (hot/cold): 2x DN 20
- for the optimum choice of hot water storage device - taking into consideration additional drawing-off points and the frequency with which BigRain is used - the specific demand needs to be assessed.
- This product can help a building meet the requirements of Green Building Rating Systems, e.g. LEED®, BREEAM®, DGNB

Three-way diverter trim is sold separately

|   |                         |                    |
|---|-------------------------|--------------------|
|  | Stainless Steel         | 41 400 979-85 0050 |
|  | Brushed Stainless Steel | 41 400 979-86 0050 |

## Recommended miscellaneous

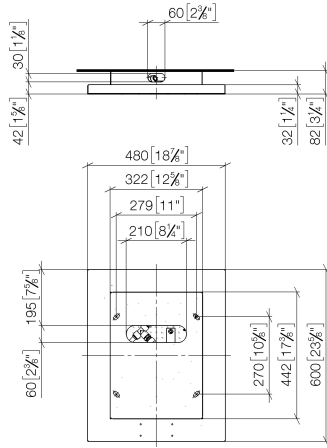


**BIG RAIN Cover for supply pipes - 12 940 979-85**  
**Stainless Steel**

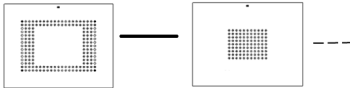
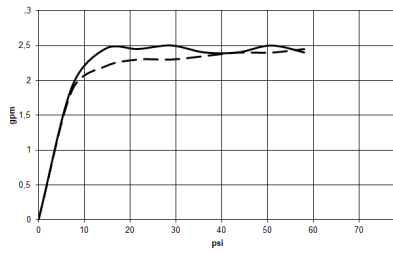
- length 450-480 mm
- for ceiling substructure installation
- stainless steel cover 125 x 50 mm

**BIG RAIN Rain panel for ceiling installation or ceiling substructure installation -  
Stainless Steel**

41 400 979  
mm [inches]

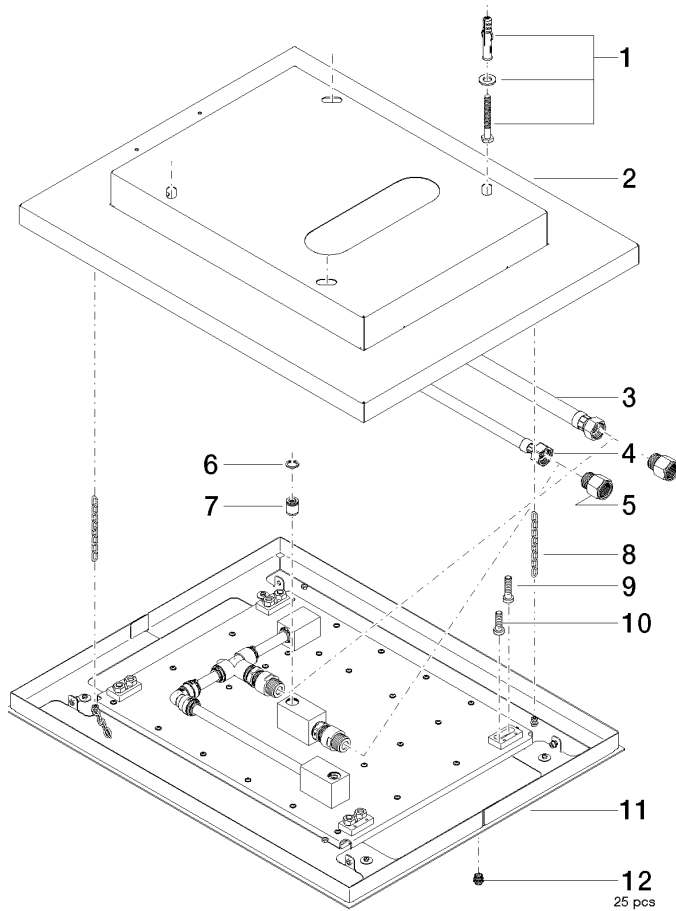


**Flow rate chart**



# BIG RAIN Rain panel for ceiling installation or ceiling substructure installation - Stainless Steel

41 400 979



## Spare parts list

| No. | Item Number        | Name                                      | Quantity used | Delivery time |
|-----|--------------------|---|---------------|---------------|
| 1   | 04 30 35 010 00 90 | fixing set                                | 1             | 2             |
| 2   | 04 17 09 001 00-85 | casing                                    | 1             | 30            |
| 3   | 12 503 970 90      | High pressure hose 1/2" x 1/2" x 600 mm - | 1             | 2             |
| 4   | 12 502 970 90      | High pressure hose 1/2" x 1/2" x 400 mm - | 1             | 2             |
| 5   | 09 24 03 146 90    | nipple                                    | 2             | 2             |
| 6   | 09 16 01 014 90    | ring                                      | 2             | 2             |
| 7   | 09 23 01 042 90    | insert                                    | 2             | 2             |
| 8   | 04 21 50 004 01 90 | accessories                               | 2             | 2             |
| 9   | 09 30 30 047 90    | screw                                     | 4             | 2             |
| 10  | 09 30 30 095 90    | screw                                     | 4             | 2             |
| 11  | 90 11 02 113 14-85 | shower                                    | 1             | 2             |
| 12  | 90 29 03 036 00 90 | insert                                    | 10            | 2             |